



Cascadia Arbor

PLEASE READ COMPLETELY BEFORE YOU BEGIN ASSEMBLY

CHECK BOX FOR THESE CONTENTS

- 1 Trellis Caps (7)
- 2 Headers (2)
- 3 Braces (4)
- 4 Lattice Side Panels (2)

HARDWARE

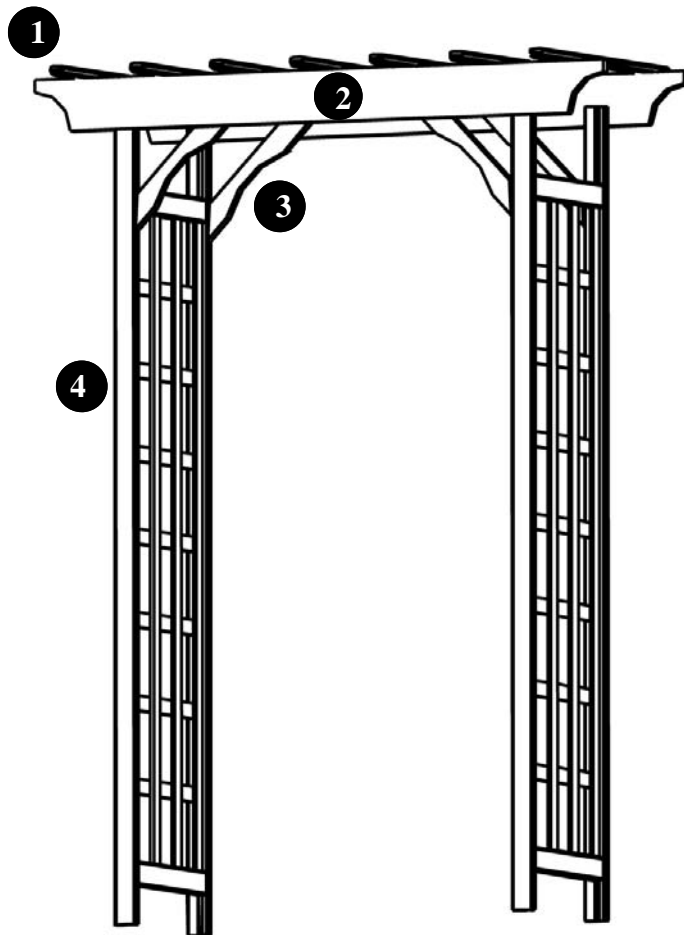
- 1 5/8" Wood screws (26)
- 2 1/2" Wood screws (4)
- Wood block marked "spacer" (1)
- Anchoring kit.

TOOLS YOU WILL NEED

- Phillips screwdriver (electric driver recommended)
- Two bags of concrete mix (60#) to anchor the arbor

HANDY TO HAVE

- Tape measure
- Carpenters Square
- Stool or short ladder



PRELIMINARIES

ARBOR PAINTING:

Your arbor has been submerged in high quality acrylic primer. An attractive finish coat of quality paint is recommended.

If you decide to repaint your arbor, we recommend that you do so before assembly, it makes the job easier. Be careful not to cover up guide marks on top of headers.

WORK AREA

Select an area close to where the arbor will be finally placed. While the assembled unit is not very heavy, it is awkward to move far and requires two people to do so easily.

The assembly area should be relatively flat and open, at least 8'x6'. A lawn, driveway or wide path will be satisfactory. It is a good idea to lay out the arbor box on your work surface to protect the arbor from nicks and scratches.

ATTACHING THE HEADERS TO THE SIDE PANELS

STEP 1

Lay one of the 2" x 6" header boards flat on your work surface, with the 12 small pilot holes facing up and the shorter side toward you.

Place one of the two lattice side panels on its edge, with the upper end (2 screw holes, closely spaced) toward the header board and the inside edge of the side post (single screw hole about 12" from the top) toward the center of the header board.

Drive one of the 1 5/8" screws through the top hole in the bottom side post, holding the frame up a bit so that the point of the screw stick through about 1/2" inch.

Choose the pair of pilot holes in the header for the width of opening you prefer.

Outside Holes - for a 48 1/2" width opening

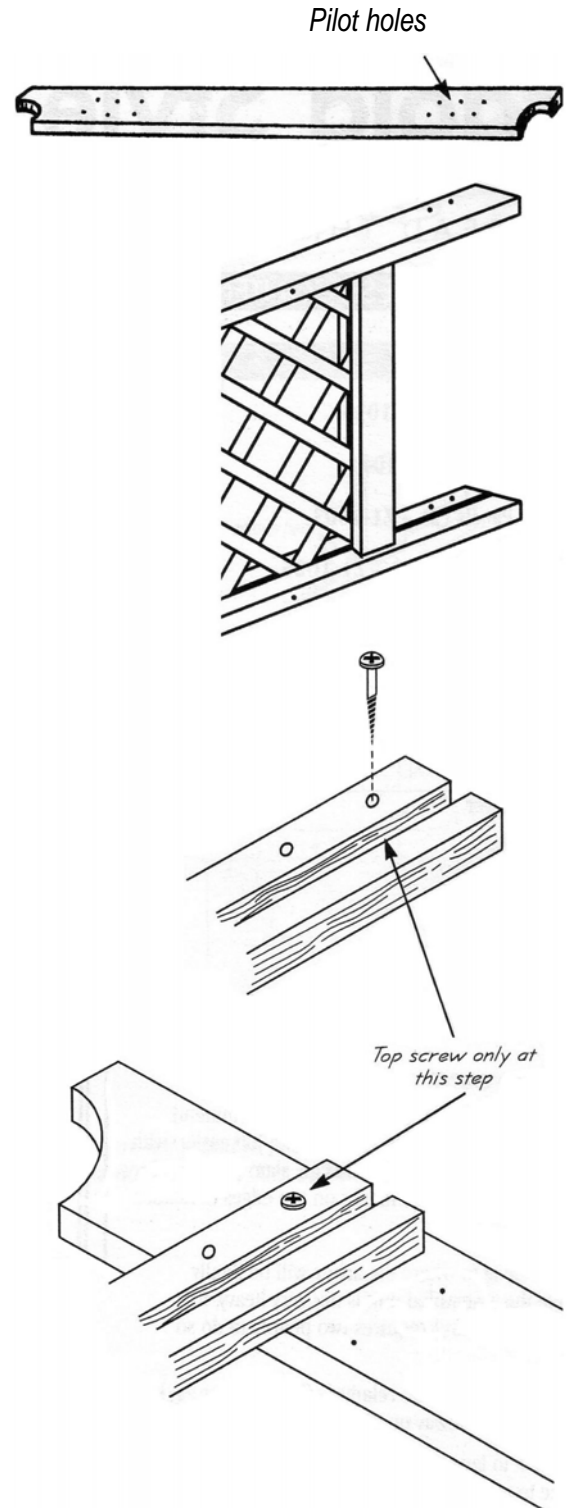
Center Holes - for a 42 1/2" width opening

Inside Holes - for a 36 1/2" width opening

Place the top edge of the frame over the header board with the point of the screw lined up with the upper pilot hole of the pair you have selected. When you are sure that the screw point is properly aligned, drive it firmly into the header.

NOTE: Do not drive in the second screw at this time.

IMPORTANT: It is possible to drive a screw into the wood without using a pilot hole. So, it is critical that you line up the screw with the pilot hole before you drive in the screw.



ATTACH SECOND HEADER

STEP 2

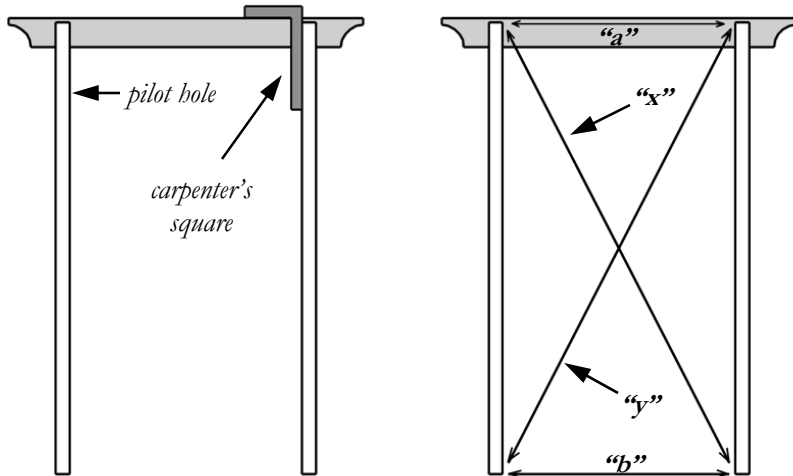
Turn the assembly over and attach the second header following the same method as the first. Take special care to:

- Make sure the inside edge of the panel (the edge with the single hole 12" from the top of the post) is facing inward.
- Be careful to use the matching pair of screw holes to give you the opening width you have selected.

SQUARE UP THE ARBOR

STEP 3

Now square up the arbor. This can be easily done with a large Carpenter's Square, a tape measure, or even a length of string as shown below.



1. Measure the distance "a" at post tops.
2. Set bottom of posts to same spacing "b".
3. Measure diagonal distance "x".
4. Check opposite diagonal distance "y".

When $a=b$ and $x=y$, the arbor is square.

When the arbor is squared up, drive the second screw at the top of each post into the lower pilot hole in the header.

SQUARE UP SECOND SIDE PANEL & HEADER

Turn the assembly over so that the attached header board is on the upper side, with the free edge of the side panels on the ground or working surface.

Repeat the process to attach the other header.

ATTACH THE BRACES TO THE HEADERS AND PANELS

STEP 4

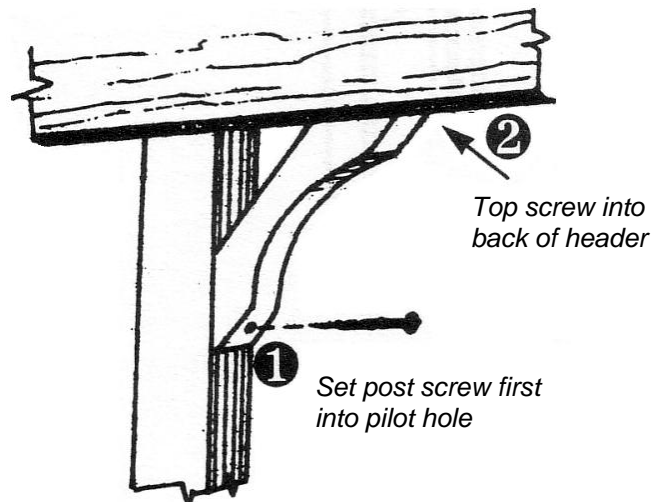
Carefully tip your assembled arbor to the upright position and check that the side panels are vertical and parallel.

Attach the four braces to the post, using the same technique as for the header boards: drive the 2 1/2" screw through the bottom hole in the brace so that it protrudes about 1/2", and insert the point into the pilot hole on the inner edge of the panel frame. Then drive the screw in firmly. **1**

Double-check your side panel posts to make sure they are square with the header board and parallel to the post on the other side.

When the position is set, hold the upper end of the brace firmly in contact with the header and drive the screw in. **2**

Tighten all screws in your assembly.

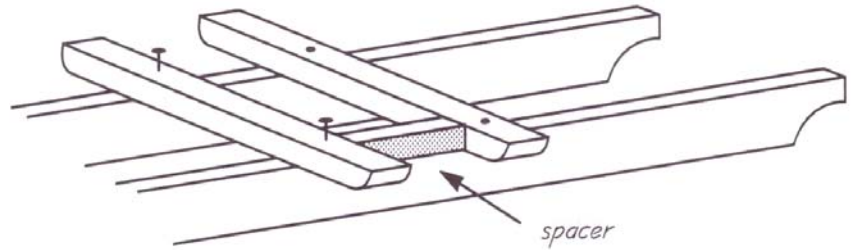


ATTACH THE CAP PIECES

STEP 5

Place one of the cap pieces across the two headers, placing it between the two marks. Center one screw hole on top edge of header. Secure to both headers.

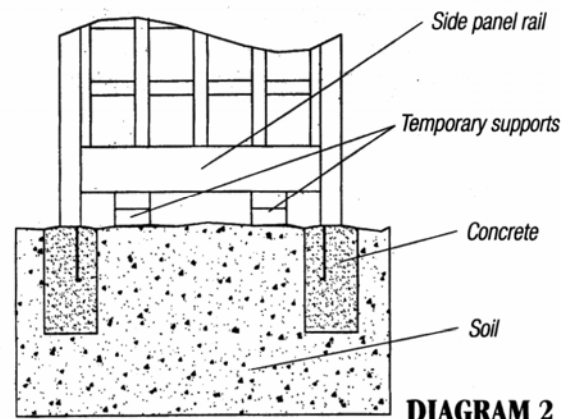
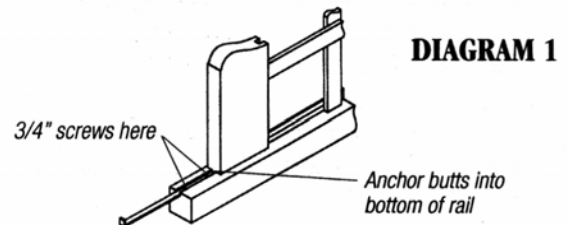
Using spacer provided, attach other cap pieces at equal intervals, 3 boards on each side of the center one.



INSTALLING THE ARBOR

Arbors must be well secured to prevent tipping over. We have provided 4 anchors for securing the arbor to concrete footings, the most common method of securing it. If you use this method you will also need 2 bags of pre-mix concrete. In some cases it may be acceptable to secure the arbor to some existing structure such as a fence post. If you are installing your arbor on concrete or a deck, see your hardware dealer for appropriate hardware.

- A. Move the arbor to its final location. (You'll need a helper). When you are satisfied with the location, mark the positions of the posts, then move the arbor aside and lay it carefully on its side. Dig a hole at least 6" wide and 12" deep for each post.
- B. Attach the anchors to the posts using the 3/4" screws provided. See **diagram 1**.
- C. Carefully, move the arbor back to its final position. Support it plumb and level over the holes with bricks, stones or blocks of wood under the side panel rails. The post bottoms should be close to the level of the ground surface. See **diagram 2**.
- D. Fill each hole with bagged concrete, mixed according to the manufacturer's instructions. Concrete should come to within 1/4" of the bottom of the posts but the post should not be in the concrete.



Fine Garden Structures

LWO Corporation
3841 N. Columbia Blvd.
Portland, Oregon 97217
(503) 286-5372
(800) 459-8718

www.arboria.com